



DF33 - Silverlink 600 Electric Counter-top Single Tank Fryer - 1 Basket - W 300 mm - 3.0 kW

The Silverlink 600 Electric Counter Top Fryer delivers 26 kg of chips per hour, and it's perfect for use in cafes, pubs and restaurants.

- ✓ Delivering 26 kg of chips per hour, perfect for cafes, pubs and restaurants
- ✓ Front mounted controls for safety
- ✓ Hinged elements to give easy access during cleaning
- ✓ Cool zone collects cooking debris - gives cleaner cooking results and saves money by prolonging the life of the oil
- ✓ Thermostatically controlled to give accurate cooking temperatures throughout cooking. Fail-safe top temperature cut out ensures safe operation.
- ✓ Fully moulded 304 stainless steel tank and heavy duty nickel plated baskets for the most demanding of operations
- ✓ Front drain off tap for easy removal of cooking oil
- ✓ Plug and play for an easy installation

Specifications

Summary

Range Name	Silverlink 600
Power Type	Electric
Unit Type	Counter-top
Available in UK Only	No
UK Warranty	2 Years Parts and Labour Warranty
Export Warranty	Contact your local dealer
GTIN Code	5056105100027

Power and Performance

Total Power kW	3.0
Temperature Range °C	130 - 190
IP Rating	IP33
Temperature Control	Mechanical

Key Specifications

Capacity Litres	9.0
Number of Baskets	1
Number of Tanks	1
Gravity Filtration	No
Pumped Filtration	No
Drain Location	Front-mounted

Weights and Dimensions

Unit Height (External) mm	330
Unit Width (External) mm	300
Unit Depth (External) mm	600
Net Weight Kg	13

Supply Connections

Requires Installation	No
Requires Electrical Supply	Yes
UK 3 Pin Plug	Yes
Requires Hardwiring	No
Electrical Supply Rating Watts	3,000
Single Phase Amps	13.0
Single Phase Voltage	230

Shipping

Packed Weight Kg	17
Packed Height cm	49.5
Packed Width cm	70
Packed Depth cm	40

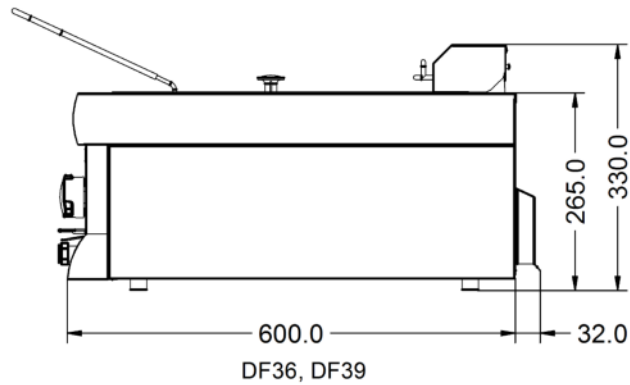
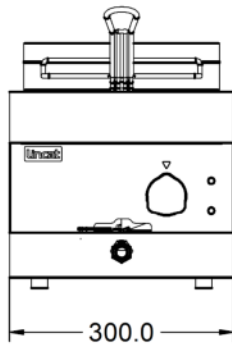
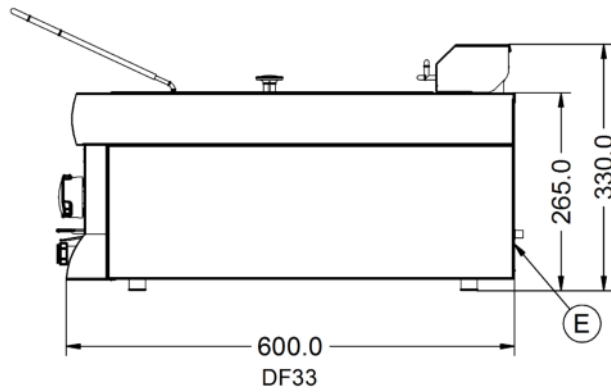
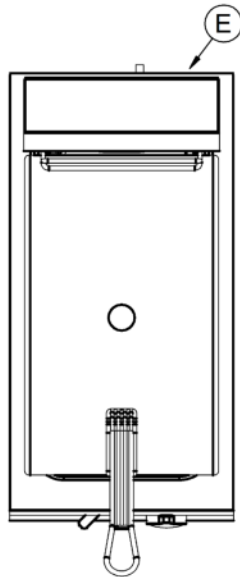
Available Accessories

BA96	BASKET SPUN DFSMALL
CC3	Silverlink 600 Free-standing Ambient Open-Top Pedestal with Doors - W 300 mm
CN3	Silverlink 600 Free-standing Ambient Open-Top Pedestal without Doors - W 300 mm
HC3	Silverlink 600 Free-standing Heated Open-Top Pedestal with Doors - W 300 mm - 0.25 kW

Available Accessories

- HCL3** Silverlink 600 Free-standing Heated Pedestal with Legs and Doors - W 300 mm - 0.25 kW
- SLS3** Silverlink 600 Free-standing Floor Stand - for units W 300 mm

Technical Picture





Lincat Limited

Whisby Road,
Lincoln, LN6 3QZ,
United Kingdom

Company No: 2175448

A member company of



Customer Care

Tel: +44 1522 875500
Email: care@lincat.co.uk

Export Customers

Tel: +44 1522 503250
Email: export@lincat.co.uk

Opening Hours

Monday – Friday:
8.30am – 5pm